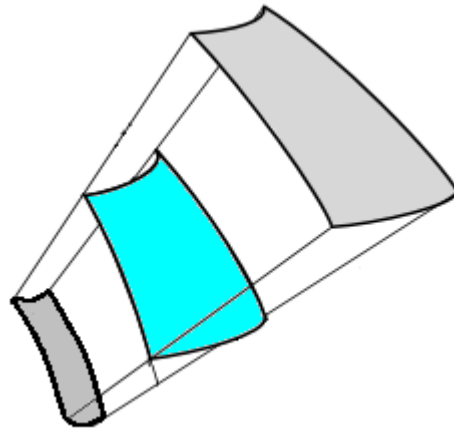
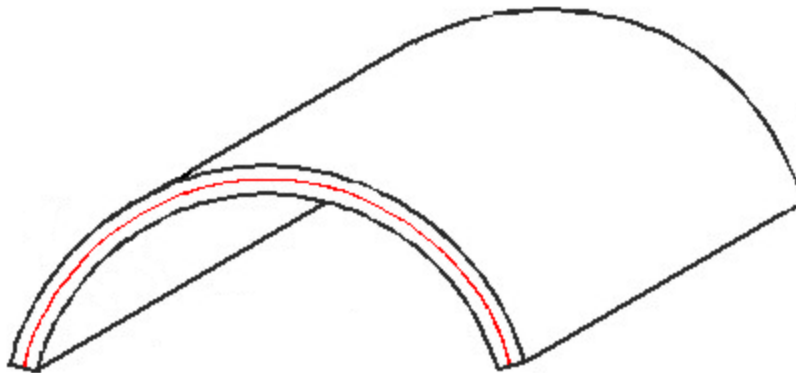


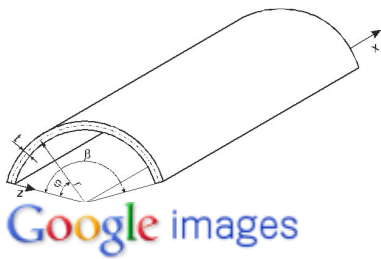
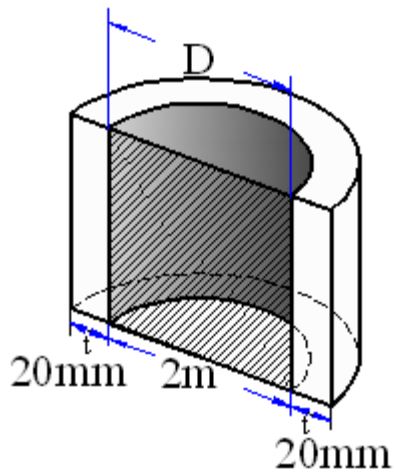
Normal thickenings



The physical model for a normal thickening is a shell which has the same shape as the surface. The figure above represents the normal thickening for a fragment of a sphere; the surface fragment is colored in blue.

Here is another example in which the surface is a cylinder and the normal thickening is a normal shell. The cylinder is halfway between the inner and outer faces, and a cross section of this surface is outlined in red.





[Website for this image](#)

Figure 53.1: **Cylindrical shell** and sign convention

ctresources.info

- [Full-size image](#)
- 617 × 319 (Same size), 25KB
- [More sizes](#)
- [Search by image](#)
- [Similar images](#)

Type: JPG

Images may be subject to copyright.

